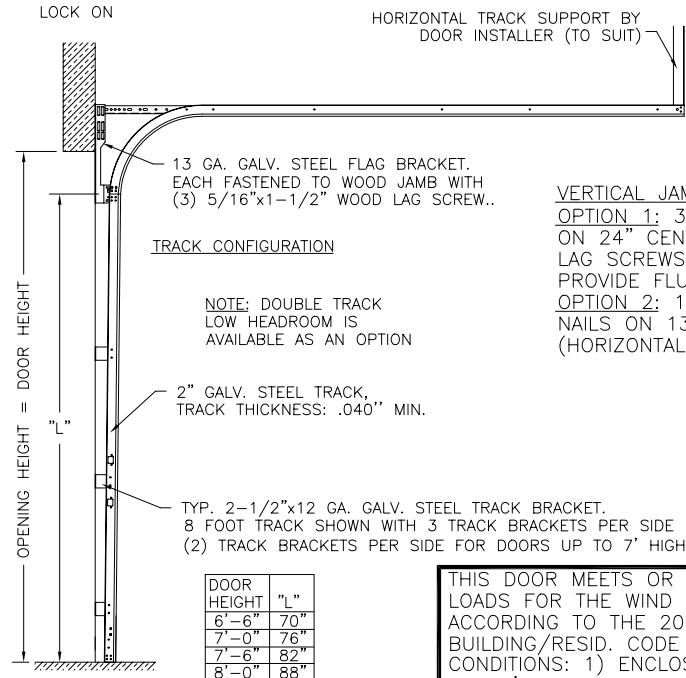
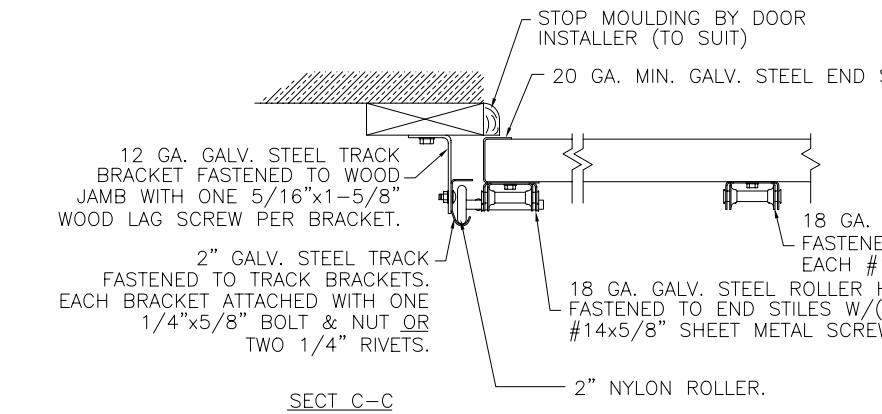
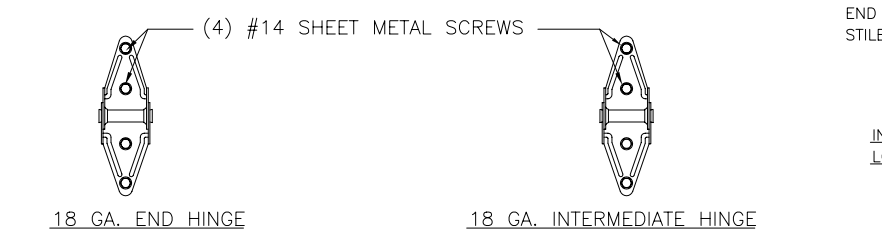
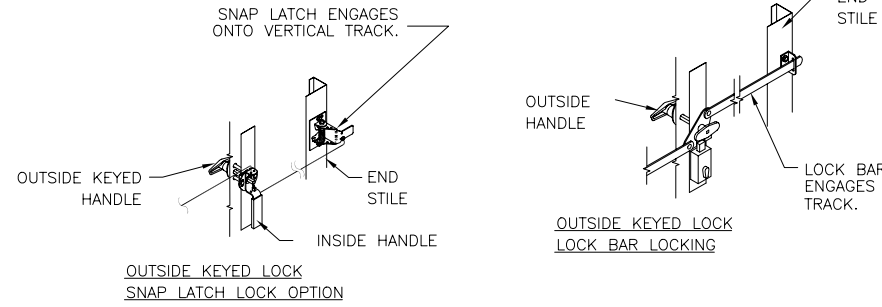
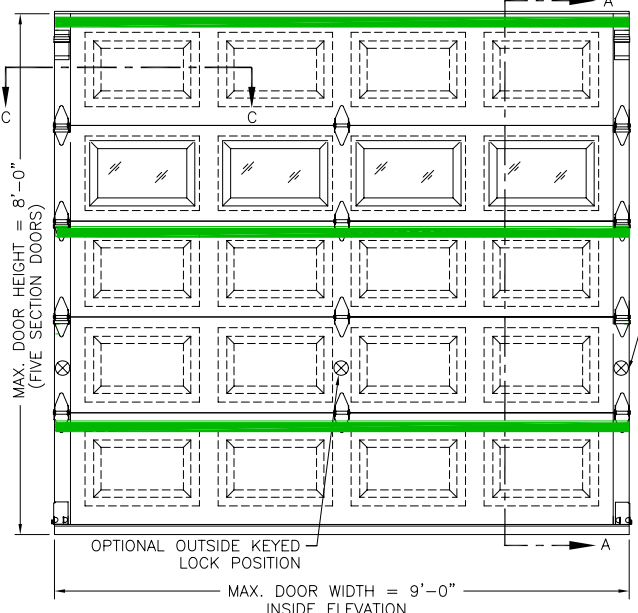
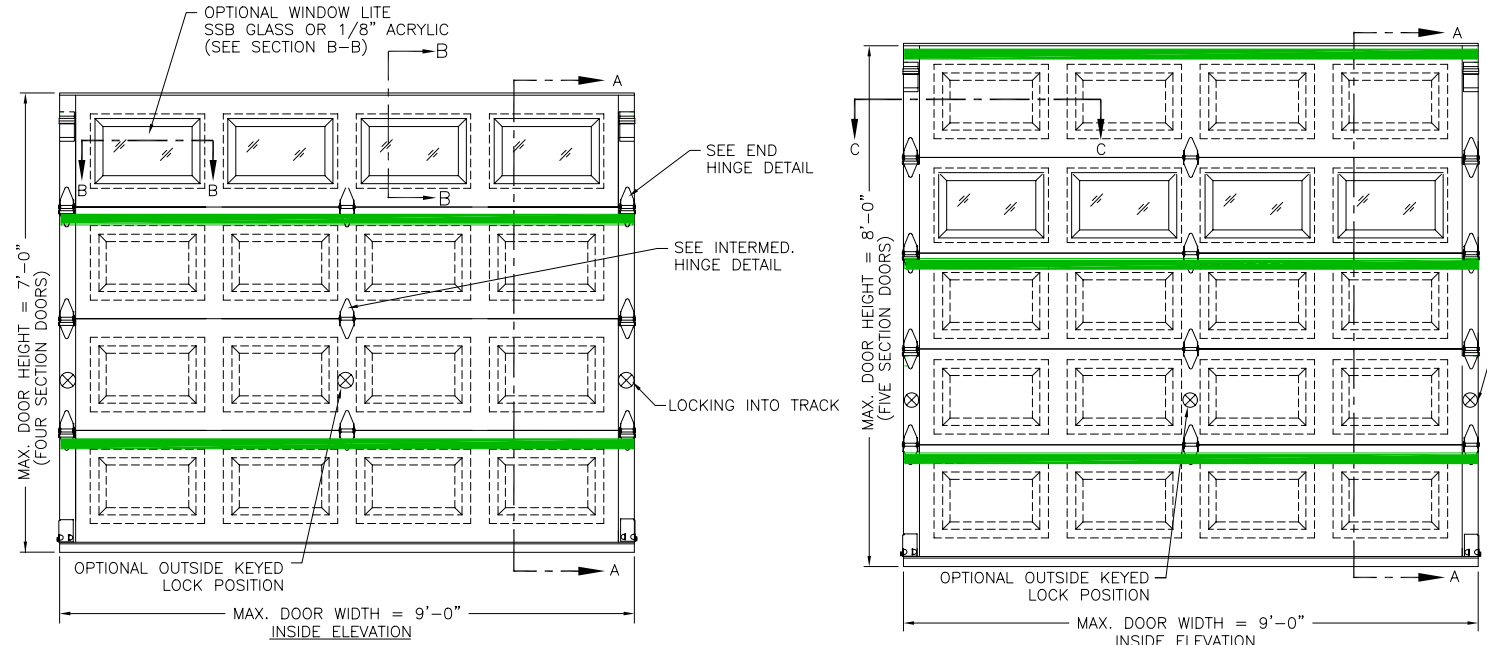


CLOPAY MODELS 2050, 2051, 4050, 4051, 4053 HOLMES MODELS 62, 64, 65

| REVISIONS | | | | | |
|-----------|-------|----------|-----------|--------|----------------------|
| REV. NO. | ZONE: | DATE: | ECN NO. | APPVD: | DESCRIPTION |
| 01 | - | 10/28/03 | ER1022R02 | SH | ADDED M/N 62, 64, 65 |



THIS DOOR MEETS OR EXCEEDS THE DESIGN LOADS FOR THE WIND SPEEDS LISTED BELOW ACCORDING TO THE 2000 INTERNATIONAL BUILDING/RESID. CODE FOR THE FOLLOWING CONDITIONS: 1) ENCLOSED BUILDING, 2) DOOR HAS 2' OF WIDTH IN BUILDING'S END ZONE, 3) IMPORTANCE FACTOR OF 1.0, 4) ANY ROOF SLOPE, AND 5) 50% SAFETY FACTOR.

| | |
|------------------|------|
| WIND SPEED (MPH) | ≤ 90 |
| EXPOSURE LEVEL | B |
| MEAN ROOF HEIGHT | 30' |

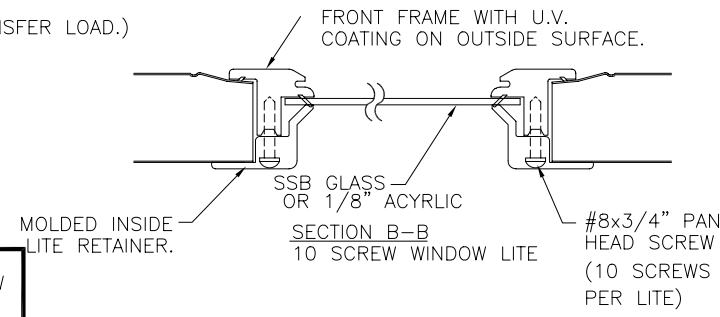
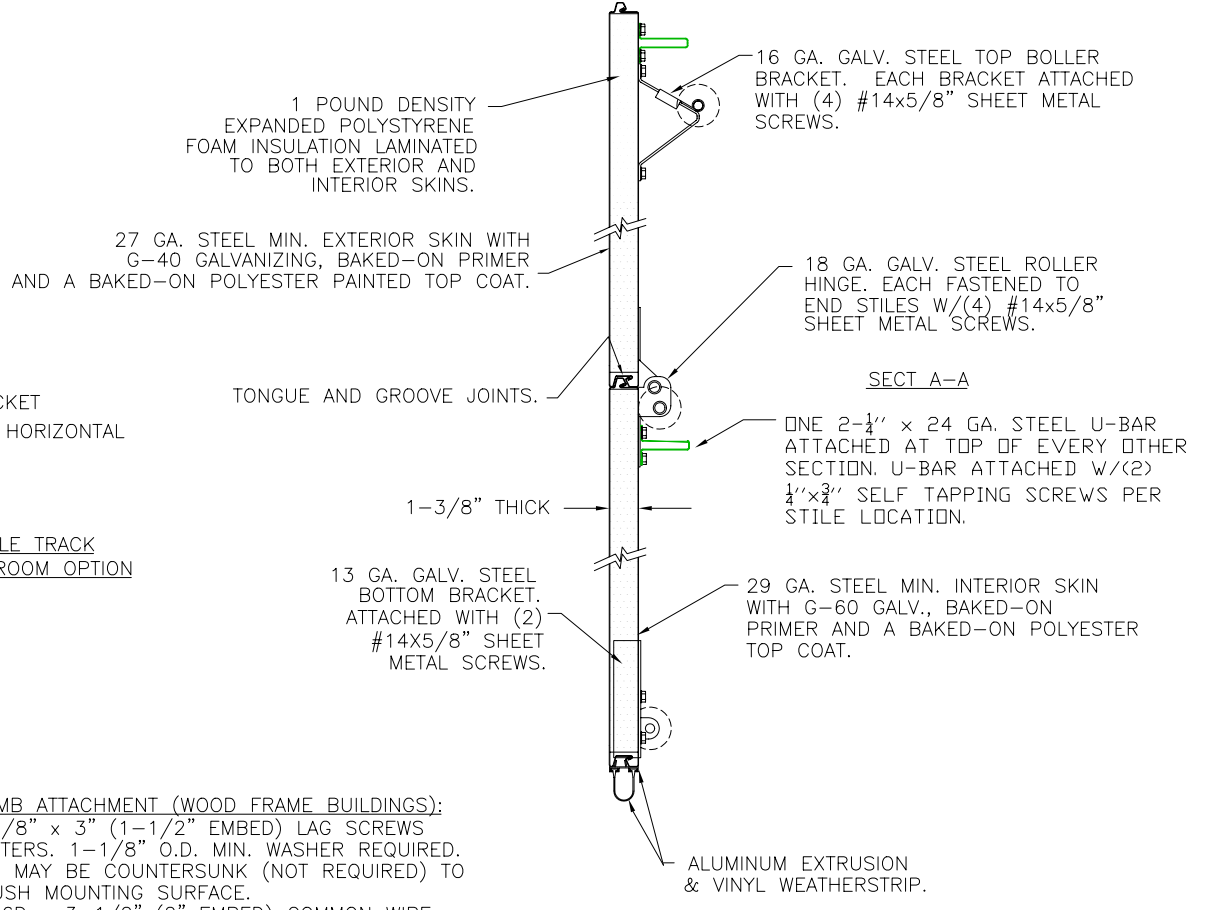
NOTICE: Confidential/Proprietary information of CLOPAY BUILDING PRODUCTS CO. is contained herein and may not be disclosed, used, duplicated, made available, or distributed without its prior consent. Failure to observe this notice may result in liability for any damages and losses resulting therefrom.

Third Angle Projection

Unless Stated Otherwise TOLERANCES are

| | |
|---------|---------|
| .0 | = ±.03 |
| .00 | = ±.015 |
| .000 | = ±.005 |
| .0000 | = ±.001 |
| Degrees | = ±1/2° |

Unless Stated Otherwise DIMENSIONS ARE IN INCHES.



DESIGN ENGINEER: MARK WESTERFIELD, P.E.
FLORIDA P.E. #48495, NC P.E. #23832, TEXAS P.E. #91513
DESIGN LOADS: +13.0 P.S.F. & -15.0 P.S.F.
TEST LOADS: +19.5 P.S.F. & -22.5 P.S.F.

NOTE: THE DESIGN OF THE SUPPORTING STRUCTURAL ELEMENTS SHALL BE THE RESPONSIBILITY OF THE PROFESSIONAL OF RECORD FOR THE BUILDING OR STRUCTURE AND IN ACCORDANCE WITH CURRENT BUILDING CODES FOR THE LOADS LISTED ON THIS DRAWING.

8585 Duke Boulevard
Mason, OH 45040
Tel. No. 1-513-381-4800
Fax No. 1-513-762-3519

Glopay
Building Products Company

DESCRIPTION: SINGLE CAR 4050/2050 +13.0/-15.0 PSF DES.

| | | | |
|------------------|----------------|--------------|--------|
| DRAWN BY: DAS | DATE: 11/22/02 | SCALE: NTS | DWG. B |
| CHECKED BY: | DATE: | SHEET 1 OF 1 | SIZE B |
| DWG. NO.: 102714 | REV. NO. 01 | | |