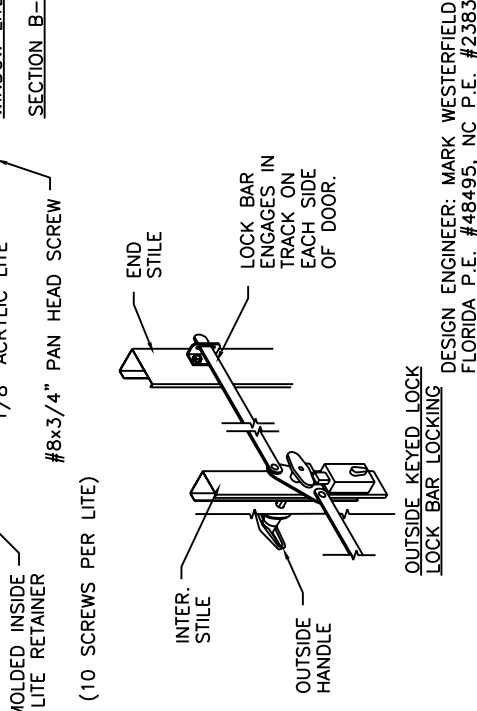
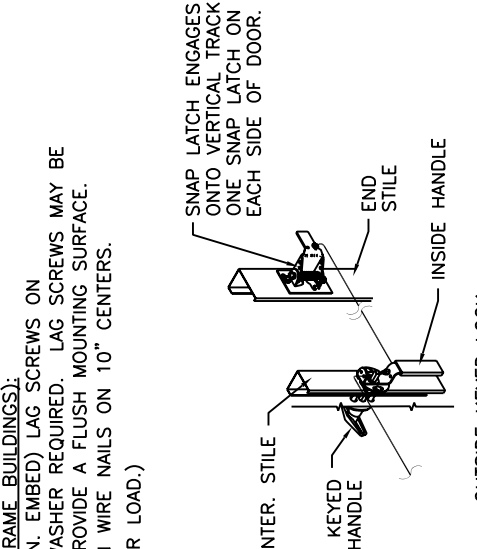
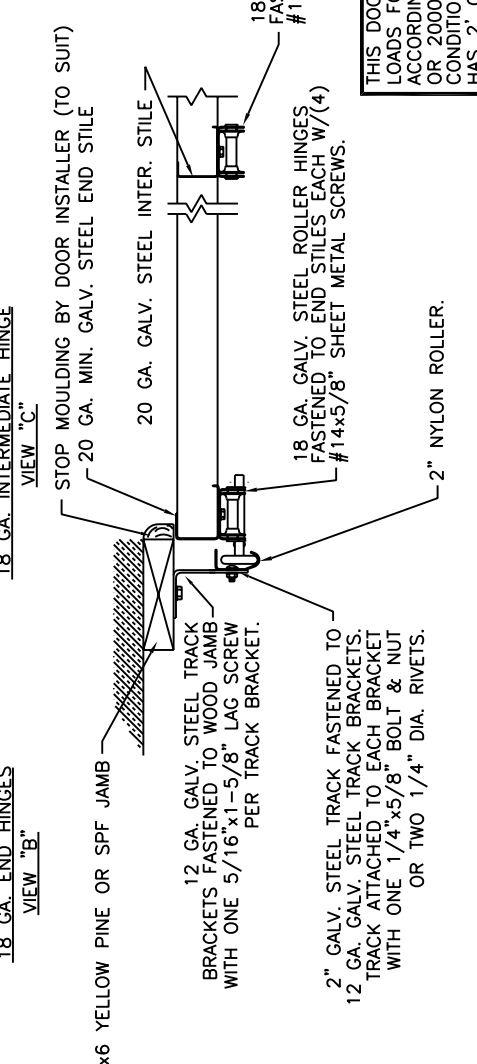
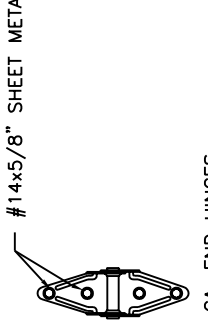
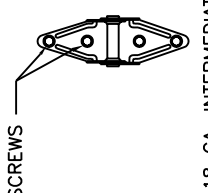
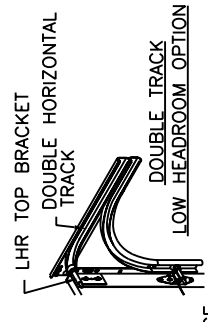
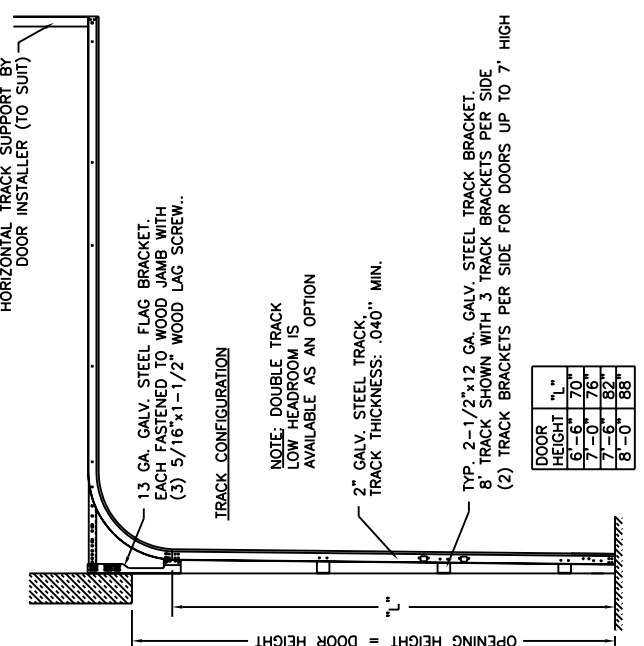
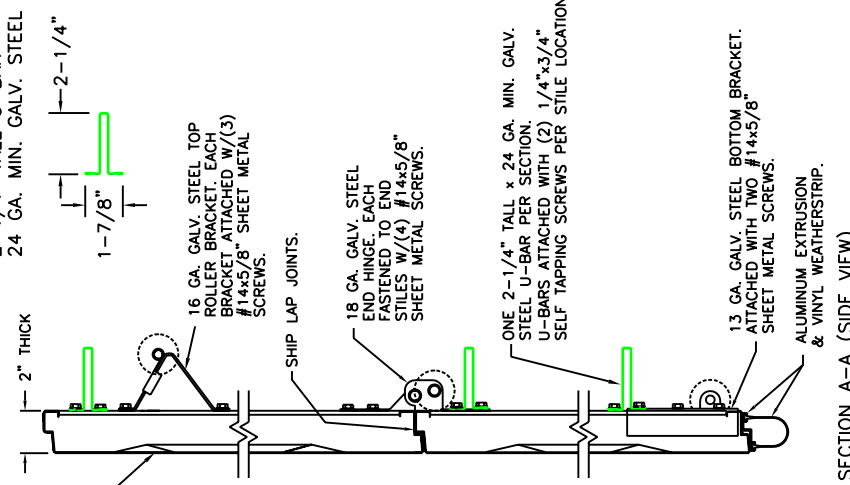
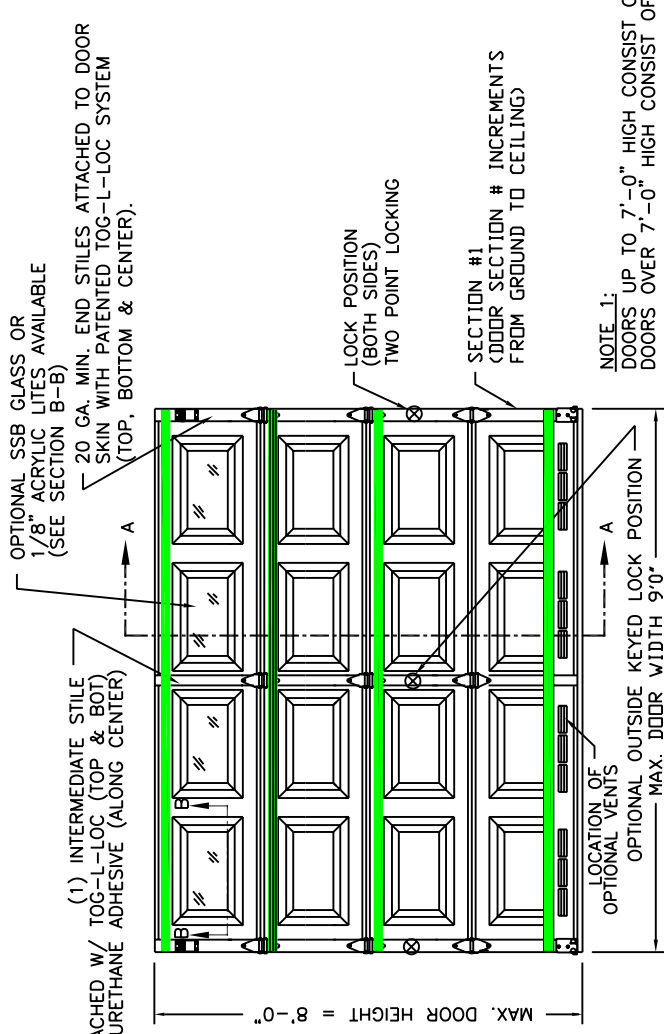


CLOPAY MODELS 73 & 75, HOLMES MODEL 42, IDEAL MODEL 6RST (25 GA. STEEL SKIN)
 CLOPAY MODELS 84A & 94, HOLMES MODEL 48, IDEAL MODEL 4RST (24 GA. STEEL SKIN)
 CLOPAY MODEL 1500, IDEAL MODEL 6RSF (25 GA. STEEL SKIN WITH 1-5/16" THICK POLYSTYRENE FOAM INSULATION)
 IDEAL MODEL 4RSF (24 GA. STEEL SKIN WITH 1-5/16" THICK POLYSTYRENE FOAM INSULATION)

REVISIONS

REV. NO.	ZONE:	DATE:	ECN NO.	APPVD:	DESCRIPTION
A	ZONE	XX/XX/XX	ECN_#	REV_APPD	DESCRIPTION



PREPARATION OF JAMBS BY OTHERS.

JAMB CONFIGURATION SECTION C-C

WIND SPEED (MPH)	≤ 90	90	100
EXPOSURE LEVEL	B	C	B
MEAN ROOF HEIGHT	30'	15'	30'

NOTE: THE DESIGN OF THE SUPPORTING STRUCTURAL ELEMENTS SHALL BE THE RESPONSIBILITY OF THE PROFESSIONAL OF RECORD FOR THE BUILDING OR STRUCTURE AND IN ACCORDANCE WITH CURRENT BUILDING CODES FOR THE LOADS LISTED ON THIS DRAWING.

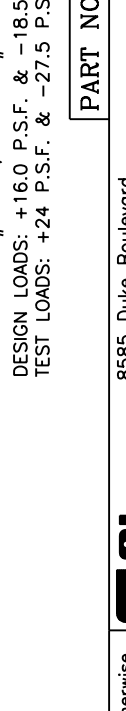
NOTE: CONFIDENTIAL/PROPRIETARY INFORMATION OF CLOPAY BUILDING PRODUCTS CO. IS CONTAINED HEREIN AND MAY NOT BE DISCLOSED, USED, REPRODUCED, COPIED, OR DISTRIBUTED WITHOUT ITS PRIOR CONSENT. FAILURE TO OBSERVE THIS NOTICE MAY RESULT IN LIABILITY FOR ANY DAMAGES AND LOSSES RESULTING THEREFROM.

Third Angle Projection

Unless Stated Otherwise DIMENSIONS ARE IN INCHES.

Unless Stated Otherwise TOLERANCES ARE

0	= ±.03
.00	= ±.015
.000	= ±.005
.0000	= ±.001
Degrees	= ± 1/2'



DESIGN ENGINEER: MARK WESTERFIELD, P.E.
 FLORIDA P.E. #48495, NC P.E. #23832, TEXAS P.E. #91513
 DESIGN LOADS: +16.0 P.S.F. & -18.5 P.S.F.
 TEST LOADS: +24 P.S.F. & -27.5 P.S.F.

8585 Duke Boulevard
 Mason, OH 45040
 (513) 770-4800

DESCRIPTION: CLOPAY, HOLMES, IDEAL SC +16.0/-18.5 PSF DESIGN LOAD
 DRAWN BY: F.LEWIS DATE: 7/30/03 SCALE: DWG. B
 CHECKED BY: SH DATE: 7/30/03 SHEET 1 OF 1 SIZE B
 DWG. NO.: 102930 REV. NO. 00

NOTE 2: THE DESIGN OF THE SUPPORTING STRUCTURAL ELEMENTS SHALL BE THE RESPONSIBILITY OF THE PROFESSIONAL OF RECORD FOR THE BUILDING OR STRUCTURE AND IN ACCORDANCE WITH CURRENT BUILDING CODES FOR THE LOADS LISTED ON THIS DRAWING.

ORIGINAL DRAWINGS ARE SIGNED IN BLUE INK WITH A RAISED SEAL (EMBOSSED).